

Position Sensor Rectilinear

multicomp **PRO**



Features:

- Contactless linear sensor
- IP64 debris proof, splash proof
- Ideal for hydraulic and pneumatic position sensing
- Liquid level capability
- Upon request
- Male or female nicomatic connectors
- Corresponding exterior magnet

Specifications:

Mechanical:

Life cycle	: >1 million
Height	: ≤3.50mm (0.138")
Actuation force	: 0.09 to 0.11 lbs pull force at desired distance (pull force rating is for the exterior magnet using a test plate of cold rolled steel)

Environmental:

Operating temperature	: up to +85°C
IP rating of active area	: IP64

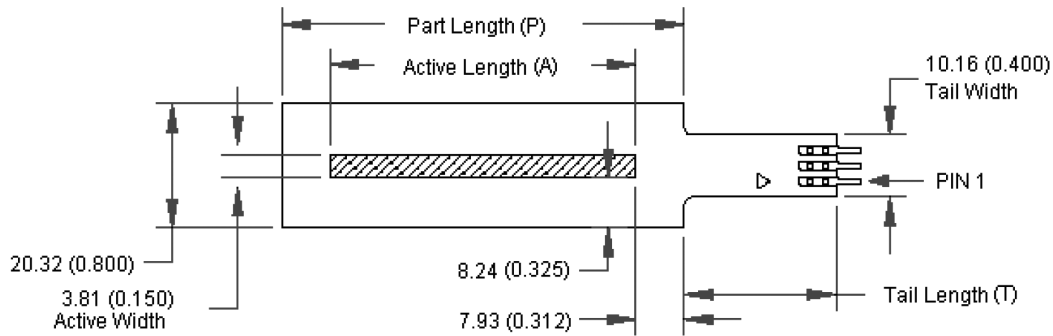
Electrical:

Resistance-standard	: 10kΩ (lengths >300mm = 20kΩ)
Resistance-custom	: 5k to 500kΩ
Resistance tolerance	: ±20%
Effective electrical travel	: 8 to 1,200mm
Resolution	: Depends on the exterior magnet strength and distance to the magnetoPot
Power rating	: 0.5W continuous, 1W peak
Dielectric value	: No affect at 500V AC for 1 minute
Independent linearity	: ±5% (±1% available)
Hysteresis	: 3mm*

Note : * The hysteresis is directly affected by the drive magnet size, strength, and distance from the internal magnet.
* Requires magnet.

Position Sensor Rectilinear

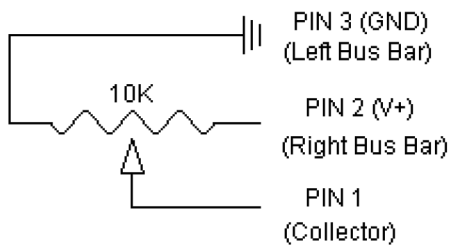
Stock Linear MagnetoPots



A	12.5 (0.492)	25 (0.984)	50 (1.969)	100 (3.937)	150 (5.906)	171.189 (6.768)	200 (7.874)	300 (11.811)	400 (15.748)	500 (19.685)	750 (29.528)	1,000 (39.37)
P	28.36 (1.117)	40.86 (1.609)	65.86 (2.593)	115.86 (4.562)	165.86 (6.531)	185.86 (7.318)	215.86 (8.499)	315.86 (12.436)	415.86 (16.373)	515.86 (20.31)	765.86 (30.153)	1015.86 (39.995)
T	12.7 (0.5)						24.89 (0.98)					

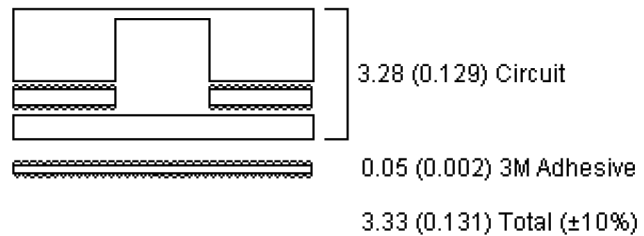
Dimensions : Millimetres (Inches)

Electrical Schematic



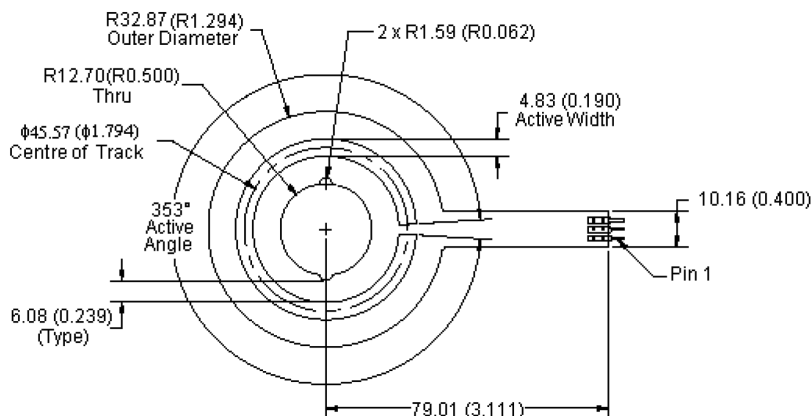
Dimensions : Millimetres (Inches)

Material Cross-Section



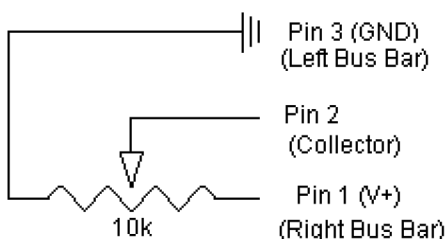
Position Sensor Rectilinear

Stock Rotary MagnetoPots



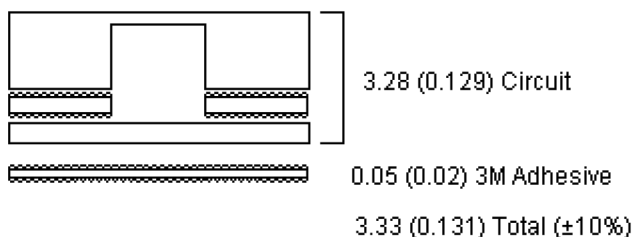
Dimensions : Millimetres (Inches)

Electrical Schematic



Dimensions : Millimetres (Inches)

Material Cross-Section



Part Number Table

Description	Part Number
Sensor, Linear, Magneto, 25mm	MP1-L-0025-103-5%-ST
Sensor, Linear, Magneto, 50mm	MP1-L-0050-103-5%-ST
Sensor, Linear, Magneto, 100mm	MP1-L-0100-103-5%-ST
Sensor, Linear, Magneto, 150mm	MP1-L-0150-103-5%-ST
Sensor, Linear, Magneto, 300mm	MP1-L-0300-103-5%-ST
Sensor, Linear, Magneto, 500mm	MP1-L-0500-103-5%-ST
Sensor, Linear, Magneto, Rotary	MP1-R-0046-353-103-5%-ST

Important Notice : This data sheet and its contents (the "Information") belong to the members of the AVNET group of companies (the "Group") or are licensed to it. No licence is granted for the use of it other than for information purposes in connection with the products to which it relates. No licence of any intellectual property rights is granted. The Information is subject to change without notice and replaces all data sheets previously supplied. The Information supplied is believed to be accurate but the Group assumes no responsibility for its accuracy or completeness, any error in or omission from it or for any use made of it. Users of this data sheet should check for themselves the Information and the suitability of the products for their purpose and not make any assumptions based on information included or omitted. Liability for loss or damage resulting from any reliance on the Information or use of it (including liability resulting from negligence or where the Group was aware of the possibility of such loss or damage arising) is excluded. This will not operate to limit or restrict the Group's liability for death or personal injury resulting from its negligence. Multicomp Pro is the registered trademark of Premier Farnell Limited 2019.